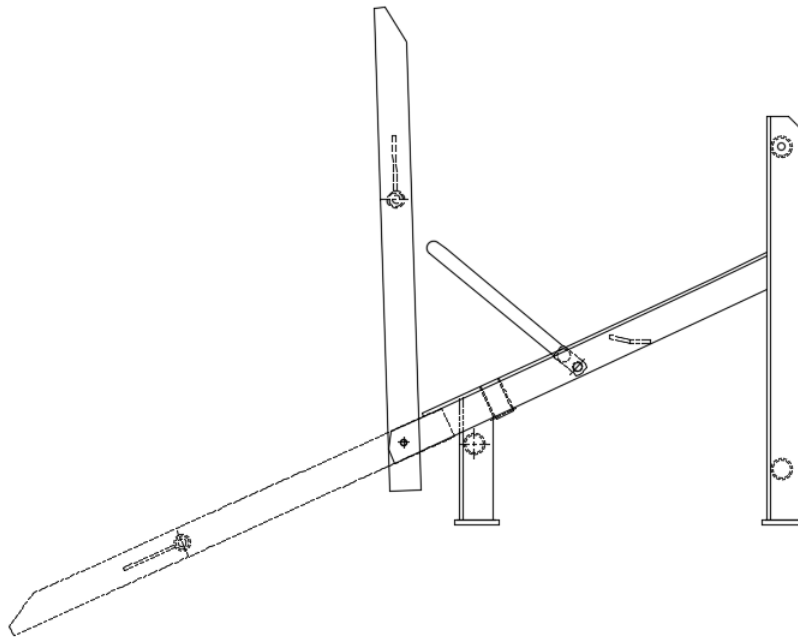




Galvanized single sliding ramp, including lashing for 6-25DK+

Material no.: 1057469



A rack designed to ensure that the liferaft will immediately drop into the water without assistance. For throw overboard liferafts weighting more than 185 kg sliding ramps are mandatory, in accordance with the SOLAS convention chapter III regulation 16. Pre-drilled foundation holes have a diameter of Ø17.

Sliding ramp fits the following liferaft sizes:

- 6DK+
- 8DK+
- 10DK+
- 12DK+
- 16DK+
- 20DK+
- 25DK+

Material:	Black steel (S235JR/EN10025/SS400/TIS1479)
Dimensions:	H 78.000 x L 81 x W 72 cm
Weight:	48 kg
Surface treatment:	Hot dip galvanized class A JF.DS/ISO 1461
Welding:	According to DS/EN 5871 class C
Lashing for fixing of liferaft:	Included