

FOR ORIENTATION OF FORCES, SEE X, Y AND Z-DIRECTION ON DRAWING.  
BASED ON LOAD COMBINATION C1 - NORSOK R-002 : FORCES MULTIPLIED BY DYNAMIC FACTORS  
ALL FOUNDATIONS TO BE DESIGNED WITH A SAFETY FACTOR OF 4,5 MINIMUM.

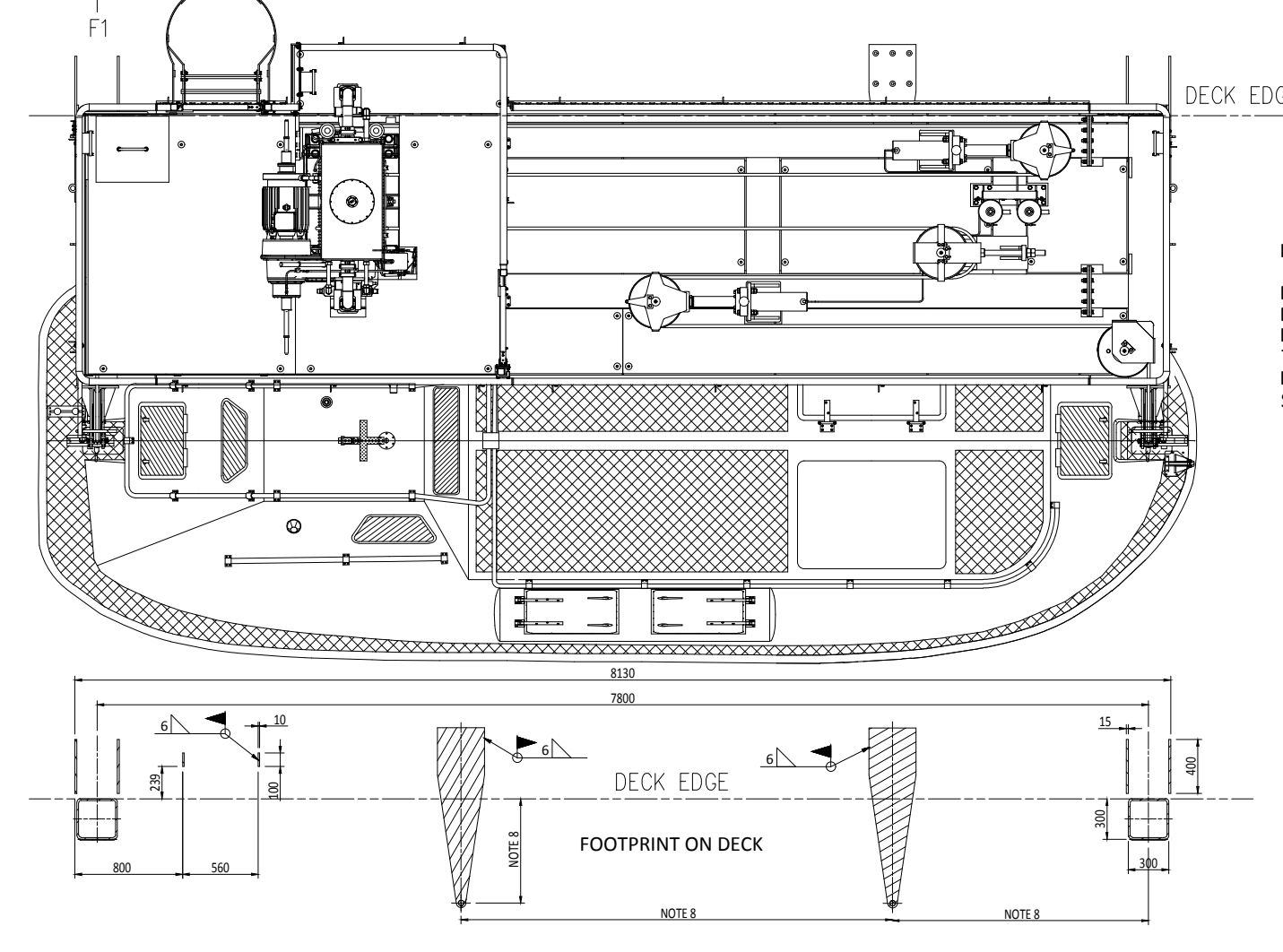
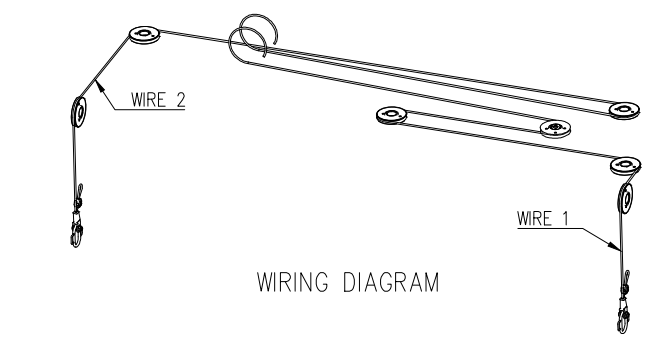
	FORCE X	FORCE Y	FORCE Z	MOM X	MOM Y	MOM Z
F1	±53 kN	133 kN	±44 kN	±98 kNm	±29kNm	404 kNm

DAVIT PRINCIPAL DIMENSIONS :

LENGTH OVERALL.....: 8.22 m  
 BREADTH OVERALL.....: 3.55 m  
 HEIGHT OVERALL.....: 5.11 m  
 TOTAL WEIGHT OF 1 DAVIT.....: APPROX. 7200 Kg  
 HOOK DISTANCE.....: 7.8 m  
 SAFE WORKING LOAD.....: 120 kN

NOTES:

1. THIS DRAWING SHOWS STARBOARD SIDE DAVIT.
2. ALL ELECTRIC WIRING FROM EL-CABINET TO DAVIT BY YARD.
3. ALL FIELD WELDS TO BE PERFORMED ACC. TO APPROVED WPS (YARD RESPONSIBILITY). ALL FIELD WELDING IS SUBJECT TO CLASS APPR. PRIOR TO WELDING.
4. ALL FIELD WELDS MARKED WITH FLAG TO BE WELDED BY YARD DURING INSTALLATION.
5. WIRE LENGTHS:  
 WIRE 1: 14.8m + (H+H1) + 3m  
 WIRE 2: 17.5m + (H+H1) + 3m  
 H=HEIGHT FROM STOWAGE TO L.W.L  
 H1=ADDITIONAL HEIGHT DUE TO LIST AND TRIM  
 WIRE LENGTH INCLUDES 3 SAFETY TURNS ON WINCH DRUM
6. ALL MAIN STEEL TO BE S355, SUITABLE FOR -20°C, EQ. STEEL IS Q345
7. ALL OUTFITTING STEEL TO BE S235 SUITABLE FOR -20°C, EQ. STEEL IS Q235
8. INSTALLATION OF PIN LASHING TO BE FINALIZED AFTER LIFE BOAT INSTALLATION (TO BE ALIGNED WITH BOAT LASHING BRACKETS).
9. EMBARKATION PLATFORM TO LIFEBOAT IS YARD SCOPE OF SUPPLY



0	ISSUED FOR CONSTRUCTION	MIM	KNT	JJB	11.08.2016
REV	DESCRIPTION	BY	CHECK	APPRO	DATE
NORSAFE REVISION HISTORY					
			VIKING Norsafe Life-Saving Equipment Norway AS P.O Box 115 4852 Færvik NORWAY Tel: +47 37 05 85 00 Fax: +47 37 05 85 01 24/7 Service: +47 37 05 63 33 Email: viking@viking-life.com		
This drawing is the sole property of VIKING Norsafe Life-Saving Equipment Norway AS. It must not be submitted to other parties nor used in any manner detrimental to our interests. It shall not be copied, reproduced, used for manufacturing or sale without the written consent of VIKING Norsafe Life-Saving Equipment Norway AS. All rights are reserved.					
DWG SIZE: A1	SCALE: 1:20	COPY OF:		PART NO.	WEIGHT:
CLIENT NO:	PROJECTION METHOD:		DAVIT TYPE C-7.8-NO		
TOLERANCES: ISO 2768-mk, ISO 13920-BF	REVISION: 0		FOR LIFEBOAT TYPE		
DWG No: G-501577	PROJECT:		MIRIAM 8.5 - STARBOARD		
			GENERAL ARRANGEMENT		