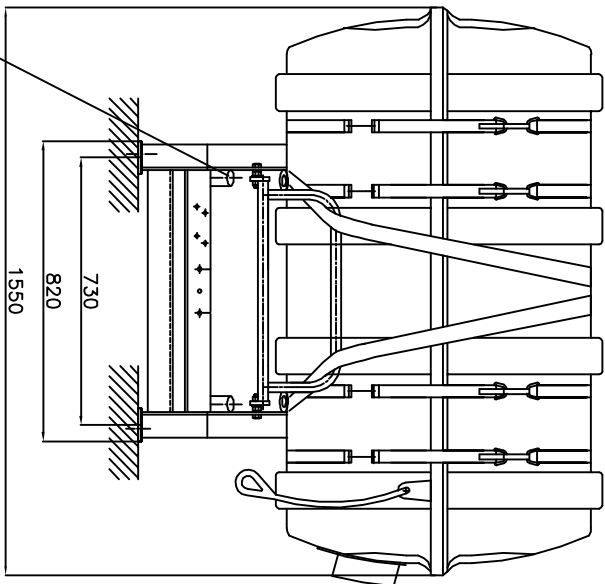
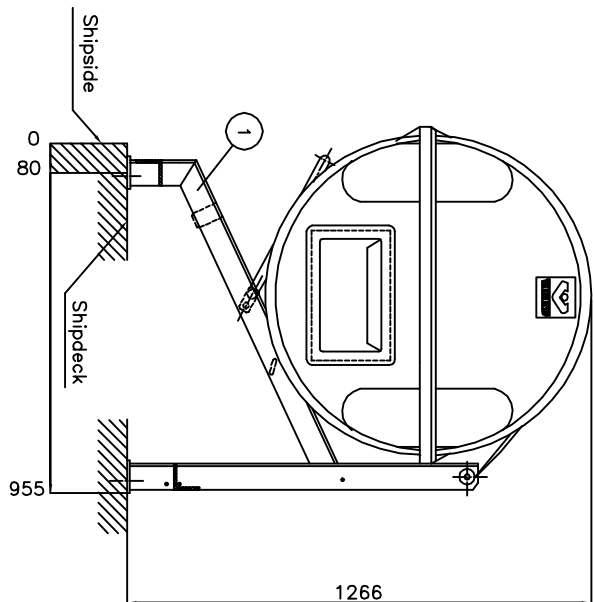


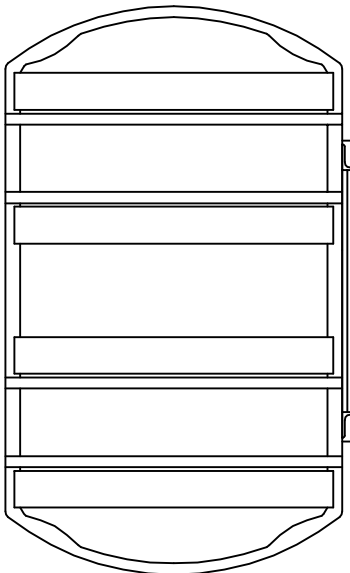
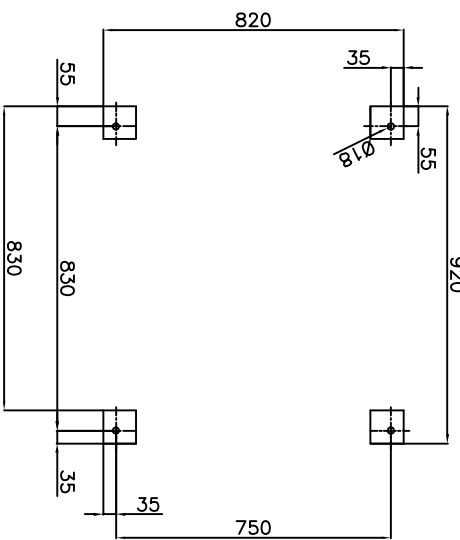
First angle projection



0526077	CAN BE DELIVERED AS:
1003987	SANDBLASTED AND PRIMED
1015749	COSTUMER SPECIFIC RAL
1015750	GALVANIZED
1015751	STANDARD RAL 9010

016-0181	DKS 50 "B"	1003994
016-0139	DKS 50 "B"	1003994
016-0129	DKR (2X50)	-
016-8701	DKS 50 "B"	-
016-8601	DKS 25 A+B	1021509
016-8401	DKF 35 "A"	-
016-8300	DKFS 39 "A"	1036173
016-8300	DKF 35 "A"	1036173

016-8200	DKF 35 "B"	-
016-5702	DK 35 "A"	1003994
016-5701	DKS 50 "B"	1003994
016-5700	DKR 100	1003994
016-5700	IBA 100	1003994
016-5200	DK 25 "A"	-
016-5200	DKR 50	-
016-5200	IBA 50	-
Part no.:	Description:	Lashing arr.



Weight: 52 Kg

Part no.: 1003987
Old part no.: 052-6077

5162S/Ø	22.08.03	MS
5162S/Ø	15.02.02.LJ	MS
5143/E	16.01.02.ENG	MS
#/5043S	16.03.01.MS	MS
*/1686S	16.01.01.ENG	MS
*/1534S	12.10.00.EB	MS
*/1489S	17.09.00.ENG	MS
Issue/Rev. no.	Date:	Check:

1	Rock	1	836-071.X-2
Object		Place	Draw. no.
Copyright of VIKING LIFE-SAVING EQUIPMENT, DENMARK, whose property this document remains. Its part thereof may be disclosed or reproduced in any other way without the approval of VIKING LIFE-SAVING EQUIPMENT, DENMARK.			
General arrangement for rock for 1 pcs. life raft container		Drawing no.: 836-070.7-2	
This drawing is also in Danish		CAD No.: 8360702	
		P.O. Box 3060 6710 Esbjerg V Denmark	
LIFE-SAVING EQUIPMENT		Scale: 1:10	
		Dim. in/Drawn: 16.06.93.LJ	
		Check: 16.06.93.PEA	

Measure are for guidance only
In case VIKING does not manufacture the cradle, VIKING will not be held responsible for construction, dimensioning and choice of material for the rock. .X= Last issue