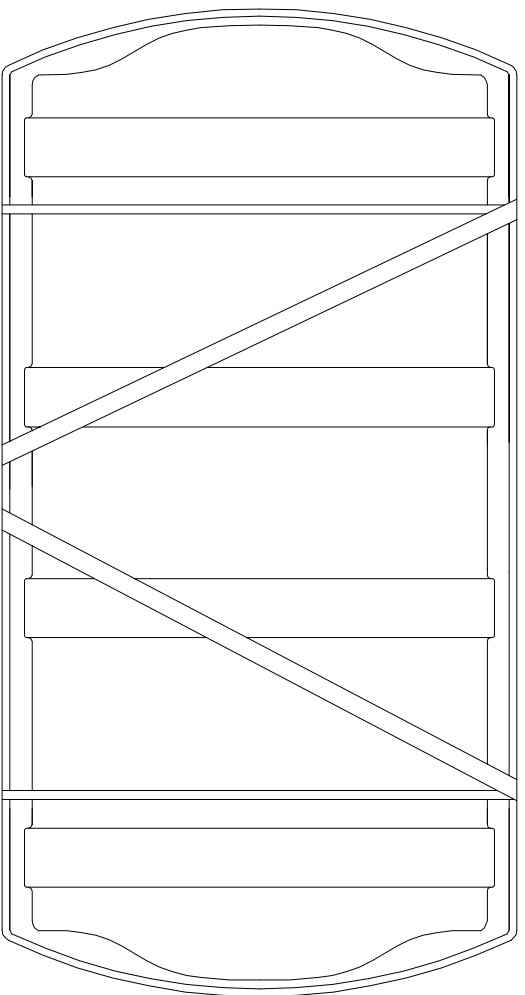
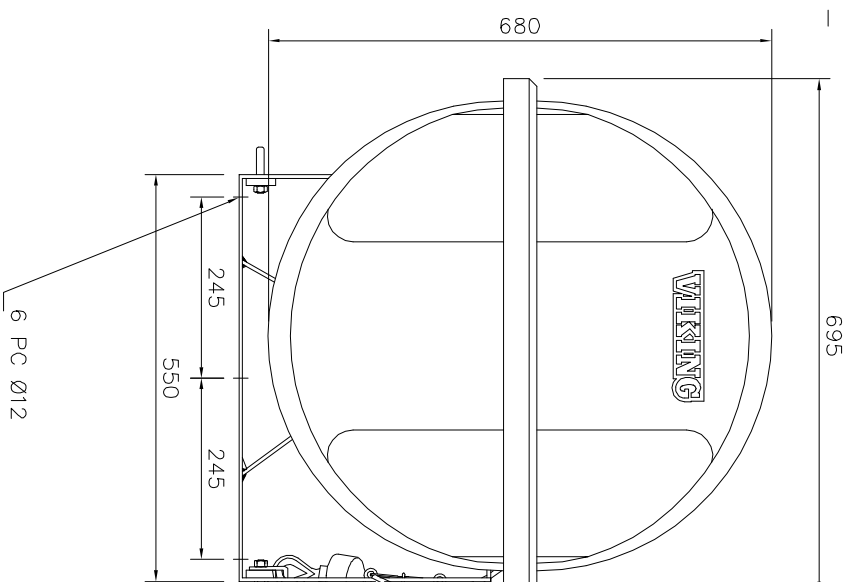


With HAMMAR –
– release unit.



1	Aluminium cradle	015-0035	300-570
1	Stainless Steel cradle	015-0060	300-680
1	Hot galvanized cradle	015-0017	300-045
Mrk.	Tekst		Part. No.
			Drawing No.

POS:

Qty.

Description

Material No:

If the product is requested to be manufactured differently, this MUST be approved by VIKING LIFE-SAVING EQUIPMENT A/S and a specification of change must be filed in if the alteration is approved. Unless otherwise specified the product must always be clearly labeled with viking part no., manufacturer ID and manufacturing year.

REVISION NO:

REVISION DESCRIPTION:

STATUS:

UNITS:

REVISION DATE:

APPROVAL INITIALS:

02

Changing bursting band to plastic strap

mm

29.01.14

29.01.14

MATERIAL NO:

1011723

–

mm

29.01.14/DW

29.01.14/DW

BASIC MATERIAL:

–

–

A3

–

29.01.14/DW

PROJECTION TYPE:

–

–

–

–

–

PROJECTION TYPE:

–

–

–

–

–

PROJECTION TYPE:

–

–

–

–

–

PROJECTION TYPE:

–

–

–

–

–

PROJECTION TYPE:

–

–

–

–

–

PROJECTION TYPE:

–

–

–

–

–

PROJECTION TYPE:

–

–

–

–

–

PROJECTION TYPE:

–

–

–

–

–

Description of change

E

E

D

D

C

C

B

B

A

A

1

2

3

4

5

6

1

2

3

4

5

6

SALES SPECIFICATION
Container 016-5100 /A/K
16DK+

Copyright of VIKING LIFE-SAVING EQUIPMENT DENMARK whose property this document remains. No part thereof may be disclosed, copied, duplicated or in any other way made use of except with the approval of VIKING LIFE-SAVING EQUIPMENT DENMARK

VIKING LIFE-SAVING EQUIPMENT

SALES SPECIFICATION

Container

016-5100

/A/K

16DK+

VIKING LIFE-SAVING EQUIPMENT A/S
Søding Ringvej 13, DK-6710 Esbjerg V
Tel.: +45 7611 8100
Fax.: +45 7611 8101
E-mail: viking@viking-life.com
Web: www.viking-life.com

PROJECTION TYPE:

–

–

–

–

PROJECTION TYPE:

–

–

–

–

–

PROJECTION TYPE:

–

–

–

–

–

PROJECTION TYPE:

–

–

–

–

–

PROJECTION TYPE:

–

–

–

–

–

PROJECTION TYPE:

–

–

–

–

–

PROJECTION TYPE:

–

–

–

–

–

PROJECTION TYPE:

–

–

–

–

–

PROJECTION TYPE:

–

–

–

–

–

PROJECTION TYPE:

–

–

–

–

–

PROJECTION TYPE:

–

–

–

–

–

PROJECTION TYPE:

–

–

–

–

–

PROJECTION TYPE:

–

–

–

–

–

PROJECTION TYPE:

–

–

–

–

–

PROJECTION TYPE:

–

–

–

–

–

PROJECTION TYPE:

–

–

–

–

–

PROJECTION TYPE:

–

–

–

–

–

PROJECTION TYPE:

–

–

–

–

–

PROJECTION TYPE:

–

–

–

–

–

PROJECTION TYPE:

–

–

–

–

–

PROJECTION TYPE:

–

–

–

–

–

PROJECTION TYPE:

–

–

–

–

–

PROJECTION TYPE:

–

–

–

–

–

PROJECTION TYPE:

–

–

–

–

–

PROJECTION TYPE:

–

–

–

–

–

PROJECTION TYPE:

–

–

–

–

–

PROJECTION TYPE:

–

–

–

–

–

PROJECTION TYPE:

–

–

–

–

–

PROJECTION TYPE:

–

–

–

–

–

PROJECTION TYPE:

–

–

–

–

–

PROJECTION TYPE:

–

–

–

–

–

PROJECTION TYPE:

–

–

–

–

–

PROJECTION TYPE:

–

–

–

–

–

PROJECTION TYPE:

–

–

–

–

–

PROJECTION TYPE:

–

–

–

–

–

PROJECTION TYPE: