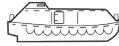




**VIKING  
NORSAFE**

NOVEMBER 2019

Boats and davits



NADIRO DROP-IN-BALL™ DIB 75

# Drop-In-Ball™ DIB 75

The unique Drop-In-Ball™ is a patented technology that minimises the risk associated with accidents during lifeboat operations.



The Drop-In-Ball™ hook system can be fitted or retrofitted on lifeboats of all makes and capacities as per customer requirements.

## Safe release and reset

Normal release depends on the boat being waterborne. The system provides intuitive re-hooking and it's easy to determine re-hooking status.

## Needs minimal crew and time to operate

The system is released by one push button and can be reset at both ends by one person. The ball shaped hook enables easy and quick reset of the system with only few movements.

## Low maintenance

The system has few movable parts and the components are made of high quality material.

To accomplish increasing safety demands, VIKING continuously supports new leading edge developments. Our hook system is supported by global service network with qualified technicians at certified servicing stations around the world.

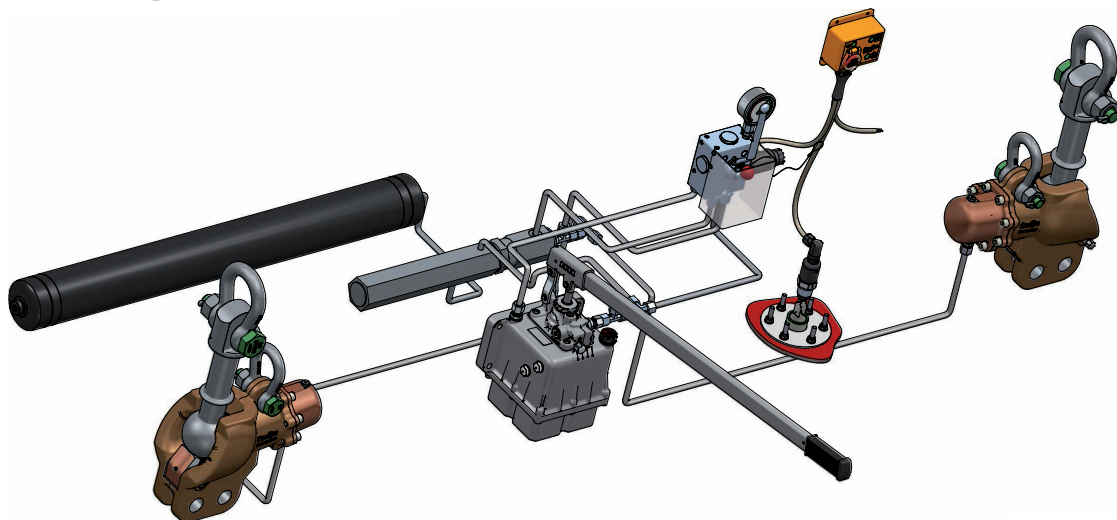


## Key advantages

- Hydraulic powered release
- Gravitational forces keep the hook closed
- Intuitive re-hooking with a safe and easy click-in system
- Easy user interface inside the lifeboat
- Back-up release mechanism ensures reliability
- Compliant with IMO regulations Res. MSC. 320 (89) and LSA Code
- Certified according to Marine Equipment Directive (MED)
- Available as single and double fall hook system in 3.2 T, 7.5 T and 12.5 T versions

# Technical specifications

## DIB 75



### GENERAL

Hook Type	True off-load hook with on-load capability, SOLAS
Hook capacity	7635 kg each hook (75 kN)
Hang-off capacity	3750 kg each hook (integrated in hook)
Boat weight max	Lifeboat: 15270 kg, FRB: 7635 kg (boat and crew total weight)
Overall dimensions hook	Length 300 x height 440 x width 160 mm (housing and ball)
Weight hook	29 kg (housing and ball) excl. standard installation bracket
Weight installation bracket	20 kg (approx.) for standard installation bracket (length 500 mm)
Operation temperature	- 20 °C to + 45 °C
Stowage temperature	- 30 °C to + 65 °C
Connection to davit/fall	Shackle 8.5 T WLL for hook/ shackle 4.75 T for hang-off
System design	Designed and tested according to LSA Code and MSC.81(70)
Approval	DNV-GL

### OPERATION PANEL

Construction	Electrical, embedded
Power supply	10 – 36 V DC (from boat battery)
Tests	EMC/temp/vibration/salt mist/IP-class

### HYDRAULIC SYSTEM

Hydraulic tank	3 ltr. tank with filter, oil level sight glasses, drain plug and filter
Operation pressure	225 bars (off-load and on-load)
Pump type	Manual pump
Stored power	1 x 4 liter hydraulic accumulator
Oil type	ELF Equis ZS 15, or equivalent
Pipe and fittings	8 and 10 mm stainless steel pipe, and AISI 316 L fittings according to DIN 2353 / ISO 8434-1

**HYDROSTATIC INTERLOCK:** Electronic sensor with ship approval

<b>SERVICE</b>	Annual service
	5-year service

Contact your local VIKING branch office to hear more.

## VIKING Norsafe Life-Saving Equipment Norway AS

Tybakken 90  
4818 Faervik (Arendal)  
Tel.: (+47) 37 05 85 00  
E-mail: VIKING-Norsafe@VIKING-life.com  
VIKING-LIFE.COM

